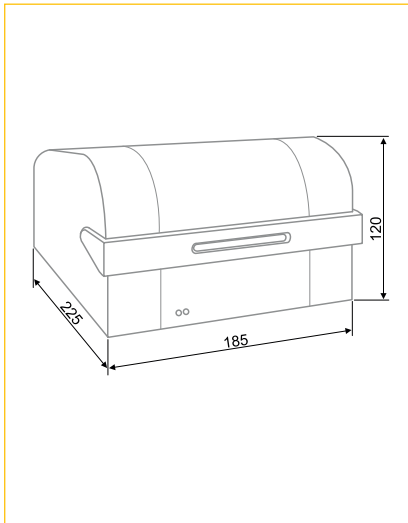


# PVT30/B

## Shop Validator for Barcode Tickets

### Dimensions (mm):



### Intended Use:

The PVT30/B validates short-term parking tickets by imprinting an additional barcode. This barcode is evaluated when paying at the automatic pay station or manual sales device and results in calculating the parking fee based on a cheaper tariff.



### TECHNICAL SPECIFICATIONS

<b>Possible Number of Classes/Tariffs:</b>	<ul style="list-style-type: none"> <li>• 99 different classes/tariffs</li> </ul>
<b>Barcode Processing:</b>	<ul style="list-style-type: none"> <li>• Motor-driven barcode printer (thermal printing technology)</li> </ul>
<b>Operating Status LED:</b>	<ul style="list-style-type: none"> <li>• Green LED = operative</li> <li>• Red LED = validation in progress</li> </ul>
<b>Counter:</b>	<ul style="list-style-type: none"> <li>• LCD totaliser as option</li> </ul>
<b>Connections:</b>	<ul style="list-style-type: none"> <li>• Power supply (via external power pack)</li> <li>• RS232 interface for programming</li> </ul>
<b>Power Supply:</b>	<ul style="list-style-type: none"> <li>• Via external power pack:                             <ul style="list-style-type: none"> <li>• Primary: 230 V / 50 Hz or 120 V / 60 Hz</li> <li>• Secondary: 12 V DC, 3.8 A</li> </ul> </li> </ul>
<b>Power Consumption (approx.):</b>	<ul style="list-style-type: none"> <li>• 7 VA to 36 VA (stand-by / max. current)</li> </ul>
<b>Housing:</b>	<ul style="list-style-type: none"> <li>• Stainless steel construction with external power pack</li> </ul>
<b>Standard Colour:</b>	<ul style="list-style-type: none"> <li>• RAL 9006 (white aluminium)</li> </ul>
<b>Place of Installation:</b>	<ul style="list-style-type: none"> <li>• For indoor use only</li> </ul>
<b>Temperature Range:</b>	<ul style="list-style-type: none"> <li>• +10 °C ... +45 °C</li> </ul>
<b>Air Humidity:</b>	<ul style="list-style-type: none"> <li>• ±0 % ... 95 %</li> </ul>
<b>Weight:</b>	<ul style="list-style-type: none"> <li>• Approx. 1350 g</li> </ul>
<b>Approvals and Conformity:</b>	<ul style="list-style-type: none"> <li>• CE</li> </ul>
<b>Notes:</b>	<ul style="list-style-type: none"> <li>• The configuration of the card class for the tariff assignment takes place via PC user interface.</li> <li>• The configuration data is transmitted via serial interface RS232.</li> </ul>

File name: VALIDATION\_DATA\_PVT30-B\_8693400\_b\_0\_en\_CB.pdf / Illustrations and descriptions may also include special options.