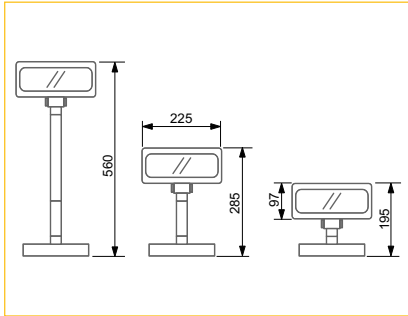


Customer Display

For Manual Sales Devices

Dimensions (mm):



Intended Use:

Customer display to show the total amount and the change.
The device provides treble height adjustment and the head can be rotated and swivelled.



TECHNICAL SPECIFICATIONS

Display:	• Vacuum fluorescent display (VFD); blue-green
Characters:	• 5 x 7 dot matrix
Display Brightness:	• 700 cd/m ²
Character type:	• 95 alphanumeric characters and 32 international characters
Number of characters:	• 2 x 20 characters
Power Supply:	• 5 V DC
Power Consumption (approx.):	• 5 W typical / 15 W max.
Place of Installation:	• For indoor use only
Temperature Range:	• +10 °C ... +50 °C
Air Humidity:	• 0 % ... 90 % (non-condensing)
Weight:	• 1.25 kg
Approvals and Conformity:	• CE

File name: POS_DATA_CustDisp_8693400_0_en_CB.pdf / Illustrations and descriptions may also include special options.