

entervo.key

Surface-mounted Door Reader for Pedestrian Access

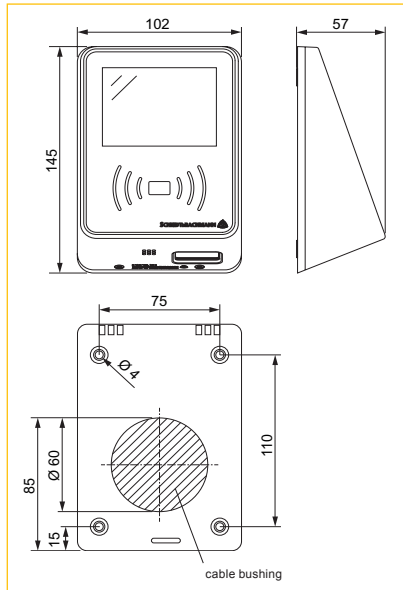
Intended Use:

The elegant and high-quality access reader allows only authorised people to access certain areas of the car park.

The flexible configuration option using state-of-the-art and maintenance-free components allows the processing of a wide variety of identification media, such as Scheidt & Bachmann system barcodes, 2D barcodes, ChipCoins and transponder cards.

The optional input of license plate numbers or opening codes via the touch display also makes it the ideal supplement for ticketless car parks.

Dimensions (mm):



TECHNICAL SPECIFICATIONS

Functions:	<ul style="list-style-type: none"> Control of external doors via potential-free relay contacts
User guidance:	<ul style="list-style-type: none"> Touchscreen display with intuitive user guidance and optimum readability: <ul style="list-style-type: none"> Screen diagonal: approx. 9 cm (3.5") Resolution: 320 x 240 pixels (QVGA) Illuminance: >450 cd/m² Can also be operated in rainy weather Sensor controlled brightness for more durability and low power consumption Acoustic signals
Access authorisation:	<ul style="list-style-type: none"> Illuminated 1D/2D barcode scanner for parking tickets and QR codes (e.g. Scheidt & Bachmann eTickets) RFID reader for the following media types: <ul style="list-style-type: none"> Scheidt & Bachmann Transponder Cards (Hitag read/write) via Elatec TWN4 Scheidt & Bachmann ChipCoins (Hitag read/write) Mifare, HID cards via Elatec TWN4 (read-only operation) Input via the touch keyboard: <ul style="list-style-type: none"> Alphanumeric opening codes that can be printed, for example, on magnetic tickets License plate numbers for ticketless parking (Partial) numbers of credit cards
Controller module:	<ul style="list-style-type: none"> Baseboard with CPU module; 8 GB SD card
Operating mode:	<ul style="list-style-type: none"> Online (permanent connection to the cell computer required)
Connections:	<ul style="list-style-type: none"> Ethernet connection via clamping plug Power supply via PoE (Power over Ethernet) External power supply (12 V DC) optional 2 x relay change-over contacts (switching capacity: max. 30 V DC / 1 A or 125 V AC / 0.5 A) 2 x optoelectronic input (12 V DC to 24 V DC (± 5 %)) 2 x optoelectronic output (switching capacity: max. 24 V DC / 60 mA)
Power consumption (approx.):	<ul style="list-style-type: none"> 11,5 W
Housing:	<ul style="list-style-type: none"> Durable plastic housing for surface mounting Colour: RAL 7043 (traffic grey B) Insensitive and durable glass front
Weight (approx.):	<ul style="list-style-type: none"> 340 g
Place of installation:	<ul style="list-style-type: none"> For indoor and outdoor use Ingress Protection Rating according to IEC 60529: IP65 Temperature range: -20 bis +50°C Relative humidity: < 95%

File name: MEDIA_DATA_entervo.key-on-wall_8693400_a_0_en_CB.pdf / Illustrations and descriptions may also include special options.