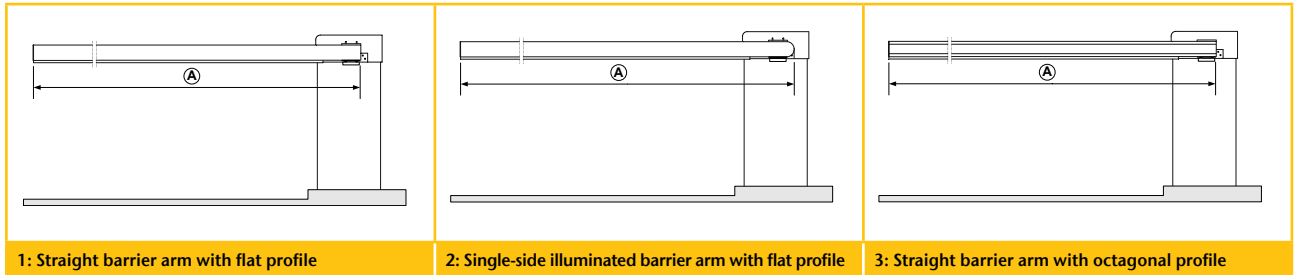


Barrier Arms

For Scheidt & Bachmann Barrier Gates AS30 and AS32

STRAIGHT BARRIER ARMS

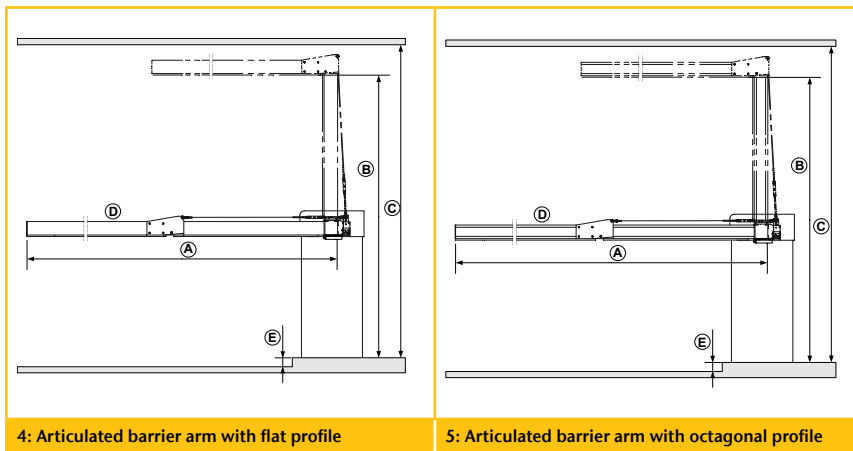


1: Straight barrier arm with flat profile

2: Single-side illuminated barrier arm with flat profile

3: Straight barrier arm with octagonal profile

ARTICULATED BARRIER ARMS



4: Articulated barrier arm with flat profile

5: Articulated barrier arm with octagonal profile

File name: BARRIER_DATA_BarrierArms_8693400_e_o_en_GB.pdf / Illustrations and descriptions may also include special options.

TECHNICAL SPECIFICATIONS	AS30	AS32
1: Straight barrier arm with flat profile Standard colours: yellow/black Note: Barrier arm can be shortened on-site	A : 2.5 m or 3.0 m or 3.5 m	
2: Single-side illuminated barrier arm with flat profile Note: Barrier arm CANNOT be shortened on-site Please specify right-hand drive or left-hand drive in the order	A : 1.8 m or 2.2 m or 2.6 m	
3: Straight barrier arm with octagonal profile Standard colours: red/white Note: Barrier arm can be shortened on-site	A : 2.5 m or 3.0 m or 3.5 m	A : 2.5 m or 3.0 m or 3.2 m
4: Articulated barrier arm with flat profile Standard colours: red/white Note: Part D can be shortened on-site	A : 2.5 m or 3.0 m or 3.5 m B : 2.04 m C : 2.3 m	
5: Articulated barrier arm with octagonal profile Standard colours: red/white Note: Part D can be shortened on-site	A : 2.5 m or 3.0 m or 3.5 m B : 1.99 m or 2.39 m C : 2.3 m or 2.7 m	A : 2.5 m or 3.0 m or 3.2 m B : 1.99 m or 2.39 m C : 2.3 m or 2.7 m

Note:
The clear passage height depends on (B) plus the island height (E).